



Very high efficacy  
explosion-proof LED luminaire.

# Zone 1, 21

Certificate number:

**BKI22ATEX0012**



CE1418 Ex II 2G Ex eb mb IIC T6 Gb

CE1418 Ex II 2D Ex mb tb IIIC T85°C Db

- Zone 1 and Zone 21 certificate
- 3 different optics
- CRI>80

- Samsung LED light source
- high quality materials, metal housing
- different available mounting accessories
- 3 available CCT: 3000; 4000 and 5000K

Type of luminaire	Ex Zone	Ex protection mode	Gas/Dust group	Maximum Power	Maximum Luminous flux	Ex thermal class	Weight
HUNLED-EX 5E Z1	Z1	eb mb	IIC	4W	360 lm	T6	0,63kg
HUNLED-EX 5E Z21	Z21	mb tb	IIIC	4W	360 lm	T85°C	0,63kg

Nominal supply voltage:	85-265V AC 50/60Hz / 85-370V DC
Dimension:	∅ 68 x 95mm
Power factor:	>0,6
CCT	4000K
Optional CCT	3000K,5000K
CRI:	>80 CRI
Beam angle:	25°, 40°, 45°
IP class:	IP 66
IK class:	IK 09
Electric protection:	CLASS I (protective earth)
Surface treatments:	Powder coating
Materials:	Aluminium, PC
Ambient temperature:	-20°C - +50°C

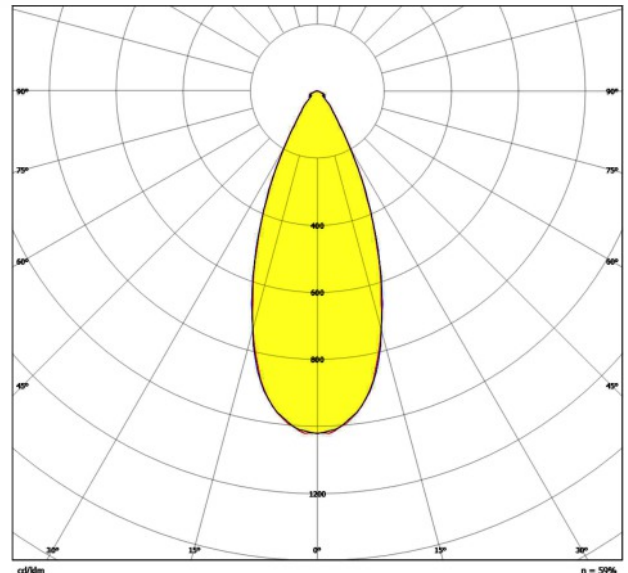
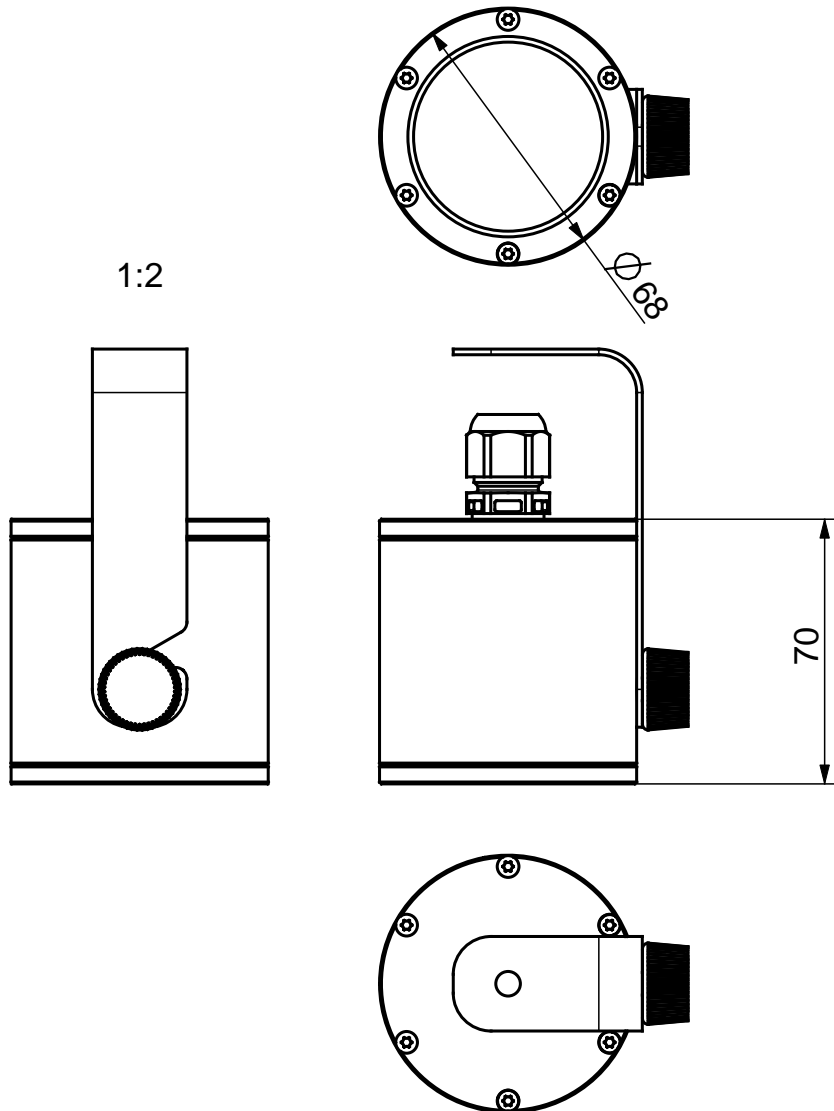
The given information is for rough orientation only! In each individual case a lighting design is necessary! Subject to technical changes, misprints and errors.

**Made in Hungary**

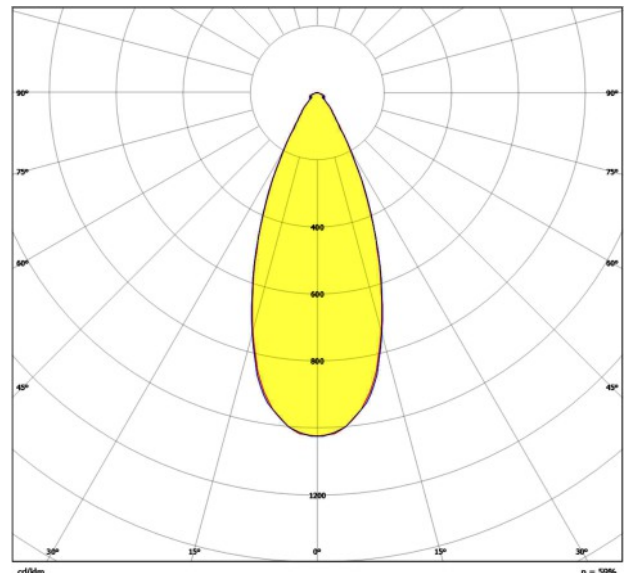
**Vegyipari Tervező és Vállalkozó Zrt.**  
Hungary, H-1033 Budapest, Kórház út 6-12.

e-mail: [vegyterv@vegyterv.hu](mailto:vegyterv@vegyterv.hu)  
[www.vegyterv.hu](http://www.vegyterv.hu)

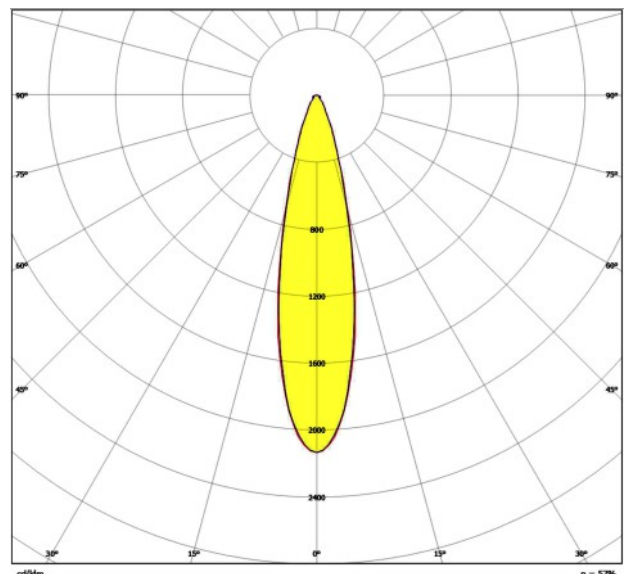
### Dimensions



Light distribution polar diagram 45°



Light distribution polar diagram 40°



Light distribution polar diagram 25°

A very small inspection luminaire for using in Zone 1 and Zone 21 hazardous areas. Due to its compact design, it is a perfect solution to provide focused illumination in very limited, restricted places, such as inspection pits, electrical distribution cabinets, gas measurement stations, etc. The 3 different available optical systems direct the generated light to the right place, and on the top of this, the mounting bracket enables the luminaire to be rotated and tilted during the operation.

The given information is for rough orientation only! In each individual case a lighting design is necessary! Subject to technical changes, misprints and errors.

**Vegyipari Tervező és Vállalkozó Zrt.**  
Hungary, H-1033 Budapest, Kórház út 6-12.

Rev.:2023.01.

e-mail: [vegyszer@vegyszer.hu](mailto:vegyszer@vegyszer.hu)  
[www.vegyszer.hu](http://www.vegyszer.hu)